



## **Pinspot 6Z**

**LH -PS610**

This manual contains important information.  
Please read before operating fixture.

Guangzhou Leahua Lighting Technology Ltd  
[http:// www.leahualighting.com](http://www.leahualighting.com)

# Index

1. Safety Instructions .....	2
2. Appearance .....	3
3. Technical Specifications .....	4
4. Operation .....	6
4.1 Board instruction .....	6
4.2 Front panel operation .....	7
5. DMX Protocol .....	9
6. Installation .....	10
6.1 Mounting & Rigging .....	10
6.2 Power connection .....	11
7. Maintenance & Cleaning .....	12
7.1 Cleaning .....	12
7.2 Lubrication .....	12
7.3 Troubleshooting .....	12

## Accessories

Name	Quantity	Remark
User manual	1pc	
Power cable	1pc	
DMX signal cable	1pc	

# 1. Safety Instructions

**WARNING!!! To reduce the risk of fire, electric shock, or injury to persons, follow these important safety instructions:**

- Check before use

Before operation, inspect the fixture for transportation damage. Do not use it if damaged. Unauthorized modification or improper use is not covered by warranty.

- Environment

The fixture is IP20-rated, suitable for indoor/outdoor use, and can operate in humid or dusty areas. Keep it away from excessive heat, fire, vibration, electrical surges, and strong light.

- Personnel & operation

Installation and operation must be performed by qualified personnel. Ensure all covers are securely in place, wear protective gear, and do not open the housing or attempt self-maintenance.

- Optical safety

Do not look directly into the light source. Do not use with dimmer packs. Maintain a minimum distance of 20 m from illuminated surfaces, and replace damaged optical components immediately.

- Electrical safety

Ensure correct voltage, proper grounding, and compliant power cords. Do not use damaged cables, and unplug by holding the plug. Avoid operating under heavy rain or extreme humidity, and avoid frequent on/off switching.

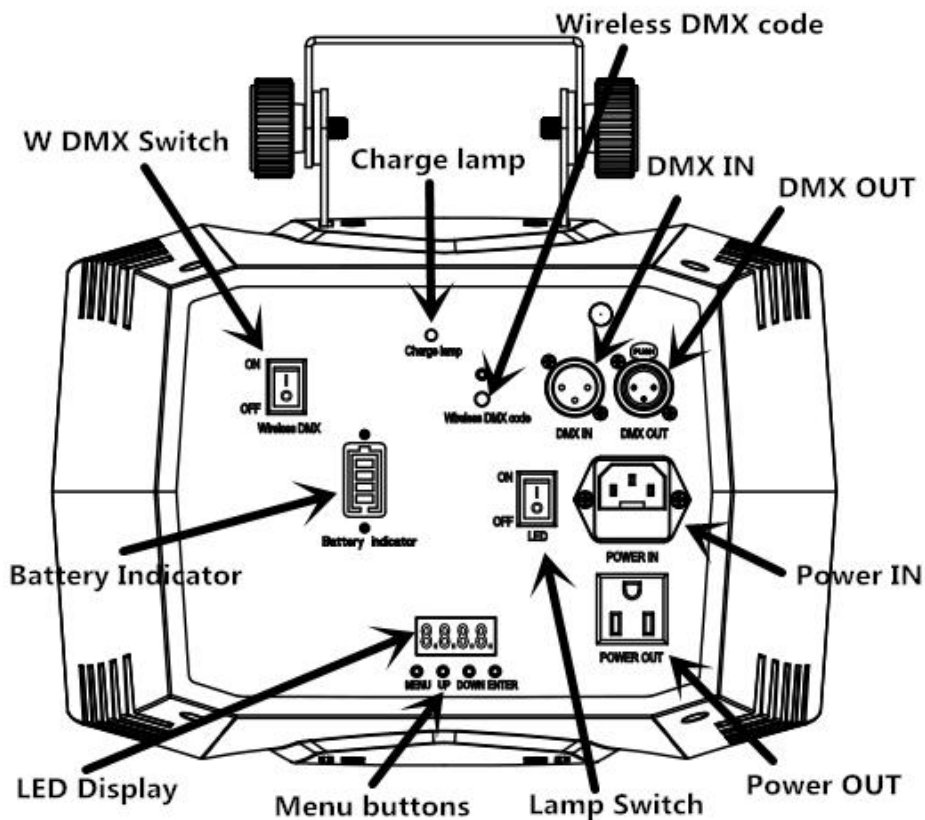
- Installation

Use the safety cord through the provided safety holes. Keep at least 50 cm ventilation clearance and do not mount on flammable surfaces or aim the beam at combustible objects (minimum 20 m).

- Temperature & normal conditions

Housing temperature may reach 45 – 75° C during operation. Slight smoke or odor may occur at first ignition and is considered normal.

## 2. Appearance



## 3. Technical Specifications

### Power

Input Voltage: 100-240V~ 50/60Hz

Power Consumption:25W

### Light source

Light Source: 2×12W RGBW LED

Life expectancy:About 20000hours ( factory rated )

### Zoom Range

Zoom Range: 6°-37°

### Control

Display: Digital Display

Control Channel: 9CH

Control Mode:DMX512, master-slave, auto, sound, wireless, remote, RDM

### Dimming/Strobe

Dimming: 0-100% linear dimming system

Strobe: 0-20 F.P.S, speed adjustable

### Housing

Housing: Plastic

Protection rate: IP20

### Working temperature

Working temperature: -10℃-45℃

### Battery

Battery Type: Lithium ion

Battery Power: 55.5Wh; 11.1V, 5000mAh

Battery Charge Time: About 3 hours ( full power )

Pinspot 6Z

Battery Life: About 7-8 hours ( all on )

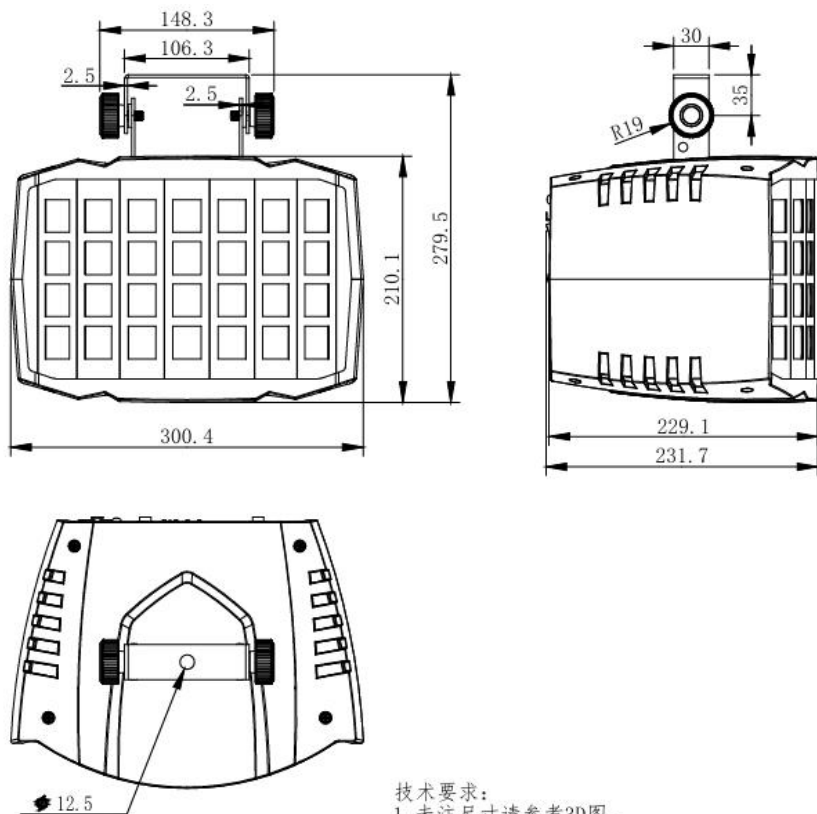
### Product dimensions

300.4×231.7×279.5mm

### Net weight

3.22kg

### Dimensions:



技术要求:

1. 未注尺寸请参考3D图。

## 4. Operation

### 4.1 Board instruction:



A

B

C

D

A. Menu

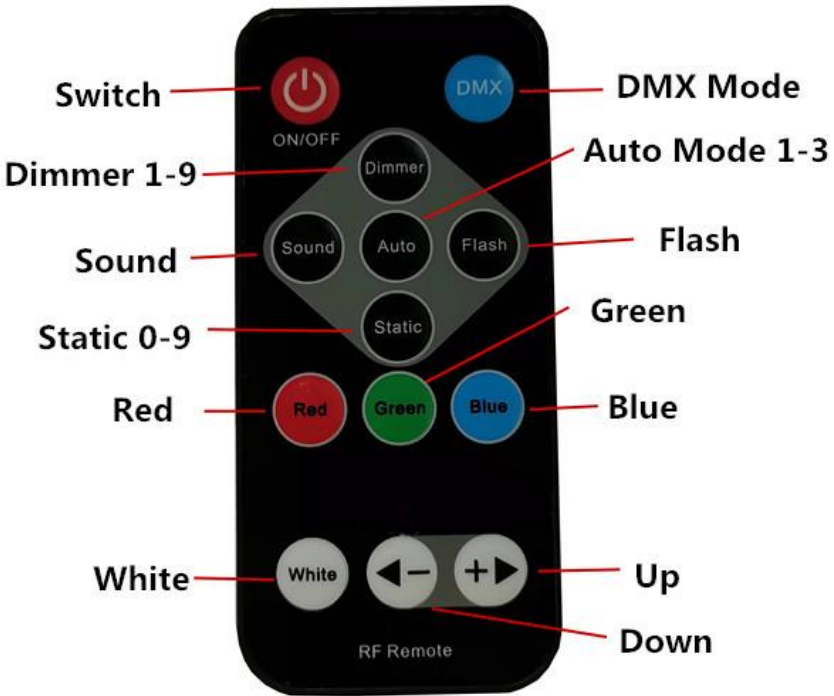
B. UP

C. Down

D. Enter

No	Display	Function
1	A001-A512	DMX address
2	Auto	Built-in mode 1
		Built-in mode 2
		Built-in mode 3
3	Sound	
4	MANU	Dim: 000-255(dimmer from 0%-100%)
		Str: 000-255 (from slow to fast)
		rEd: 000-255
		GrEn: 000-255
		bLuE:000-255
		WHIT:000-255
		rota: 000-255
5	IF	ON/OFF

## 4.2 Front panel operation



## Instruction of remote

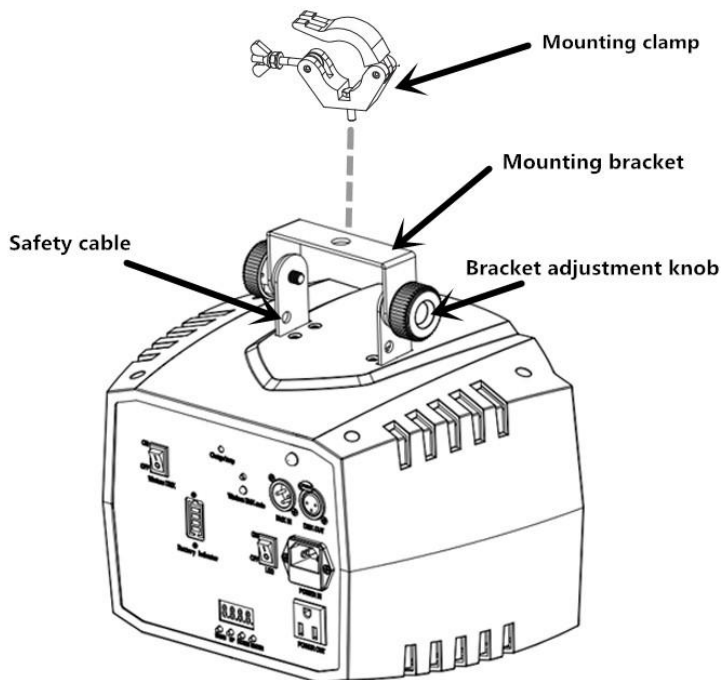
Dimmer	It will be 0-9 from dark to bright
	Up,Down key same function 0-9 from dark to bright
Auto	it has 1-3 different auto mode
Static	it will be 0-9 different colors
	Up,Down key rotation will be more and more fast
Flash	Strobe ON/OFF 0-off, 9- on
	Up, Down key it will be 0-9 different strobe speed
Sound	Sound control
	Up, Down key it is sensitivity 1-9 color different, higher of number,the better the sensitivity,

## 5. DMX Protocol

<b>Channel</b>	<b>Value</b>	<b>Explanation</b>
1CH	001-255	Total dimmer
2CH	001-255	Total strobe (from slow to fast)
3CH	001-255	Red dimmer 0-100%
4CH	001-255	Green dimmer 0-100%
5CH	001-255	Blue dimmer 0-100%
6CH	001-255	White dimmer 0-100%
7CH	0-127	LED motor reverse rotation
	128-255	LED motor forward and reverse(from slow to fast)
8CH	0-5	NO Function
	6-55	Single color jump
	56-105	Single color jump (with strobe)
	106-155	Mixed color jump
	156-205	Mixed color jump (with strobe)
	206-255	Sound control
9CH	0-255	Speed from slow to fast(8CH valid)

## 6. Installation

### 6.1 Mounting & Rigging



- **Attach Mounting Hardware**

Install the 2 × ¼-turn quick-lock Omega brackets to the base, then secure suitable rated C- or O-clamps to the brackets.

- **Position and Rig the Fixture**

Mount the fixture onto a stable truss or structure using clamps rated to hold at least 10× the fixture's weight.

Always lift the fixture using the handles—not the clamps.

- **Install the Safety Cable**

Run the safety cable through the two safety-cable holes on the base and secure it to an independent safety point.

Ensure the safety cable is rated for 10× the fixture’s weight.

● Ensure Ventilation

Verify that fans and ventilation openings are unobstructed and that sufficient space is available around the fixture.

● Lock / Unlock Pan & Tilt

Lock Pan and Tilt before moving the fixture.

Unlock them before powering on.

Never operate the fixture while Pan/Tilt is locked.

● Final Stability Check

Ensure all clamps, screws, and safety cable connections are firmly secured, and confirm the mounting structure can support the fixture’s weight.

**6.2 Power connection**

Please checking the power equipment supported.

Please put the plug of power source wire connect with the main power source .

( EU )Wire	Wire(America)	Direction of wire	General marks
Brown	Black	Live	L
Light blue	White	Neutral	N
Yellow/Green	Green	Earth	

## 7. Maintenance & Cleaning

Regular maintenance is essential to ensure optimal performance and extend the service life of the fixture.

### 7.1 Cleaning

Disconnect the unit from power before any cleaning work.

Use a soft, lint-free cloth slightly dampened with mild detergent to clean the exterior surfaces.

Gently remove dust from ventilation slots, optical lenses, and cooling components using compressed air or a soft brush.

Avoid using solvents, alcohol, or abrasive materials that may damage the housing or optical elements.

### 7.2 Lubrication

This fixture is designed with sealed or maintenance-free moving parts. Under normal operating conditions, no additional lubrication is required.

If abnormal noise or movement resistance is observed, contact qualified service personnel before applying any lubricant.

### 7.3 Troubleshooting

If the fixture does not power on, verify the power supply, cables, and connectors.

For control issues, check DMX addressing, cable integrity, and ensure proper 3-pin/5-pin XLR connections.

Overheating or unexpected shutdown may indicate blocked ventilation; inspect and clean air inlets and outlets.

If problems persist after basic checks, discontinue use and contact authorized service technicians.



**LEAHUA**

Guangzhou Leahua Lighting Technology Ltd

---

---

Rm 1004, Building A  
Baiyun Lake Future Technology Center  
No,1 Xinghu Street, Shimen, Baiyun district  
Guangzhou 510440, China

---

---