



**LEAHUA**



## **Pinspot 1S**

### **LH -PS15**

This manual contains important information.  
Please read before operating fixture.

Guangzhou Leahua Lighting Technology Ltd  
[http:// www.leahualighting.com](http://www.leahualighting.com)

# Index

1. Safety Instructions .....	2
2. Technical Specifications .....	3
3. Operation .....	6
3.1 Board instruction .....	6
4. Installation .....	7
4.1 Mounting .....	7
5. Maintenance & Cleaning .....	7
5.1 Cleaning .....	7
5.2 Lubrication .....	7
5.3 Troubleshooting .....	8

## Accessories

Name	Quantity	Remark
User manual	1pc	
Power cable	1pc	
DMX signal cable	1pc	

# 1. Safety Instructions

**WARNING!!! To reduce the risk of fire, electric shock, or injury to persons, follow these important safety instructions:**

- Check before use

Before operation, inspect the fixture for transportation damage. Do not use it if damaged. Unauthorized modification or improper use is not covered by warranty.

- Environment

The fixture is IP20-rated, suitable for indoor/outdoor use, and can operate in humid or dusty areas. Keep it away from excessive heat, fire, vibration, electrical surges, and strong light.

- Personnel & operation

Installation and operation must be performed by qualified personnel. Ensure all covers are securely in place, wear protective gear, and do not open the housing or attempt self-maintenance.

- Optical safety

Do not look directly into the light source. Do not use with dimmer packs. Maintain a minimum distance of 20 m from illuminated surfaces, and replace damaged optical components immediately.

- Electrical safety

Ensure correct voltage, proper grounding, and compliant power cords. Do not use damaged cables, and unplug by holding the plug. Avoid operating under heavy rain or extreme humidity, and avoid frequent on/off switching.

- Installation

Use the safety cord through the provided safety holes. Keep at least 50 cm ventilation clearance and do not mount on flammable surfaces or aim the beam at combustible objects (minimum 20 m).

- Temperature & normal conditions

Housing temperature may reach 45 – 75° C during operation. Slight smoke or odor may occur at first ignition and is considered normal.

## 2. Technical Specifications

### Power

Input Voltage: AC 90-240V/ 50-60Hz

Power Consumption:8W

### Light source

Light Source:15W RGBW LED

CRI>70

Life expectancy: 20000 hours ( factory rated )

### Zoom Range

Zoom Range: 14.3°- 38°

Manual zoom adjustment

### Control

Control mode: Remote control

### Dimming/Strobe

Dimming: 0-100% linear dimming system

Strobe: 00 F.P.S, speed adjustable

### Housing

Housing:Nylon and glass fiber

Protection rate: IP20

### Working temperature

Working temperature: -10℃- 45℃

### Connection

Power connection: DC Charging Port

### Battery

Battery Type: Lithium ion

Battery Power: 14.8Wh; 3.7V, 4000mAh

Battery Charge Time: About 4 hours ( full power )

Battery Life: About 2.5 hours ( all on ), 4.5hours ( single color red );  
4.5hours ( single color green ); 11hours ( single color blue ); 6.5hours  
( single color white )

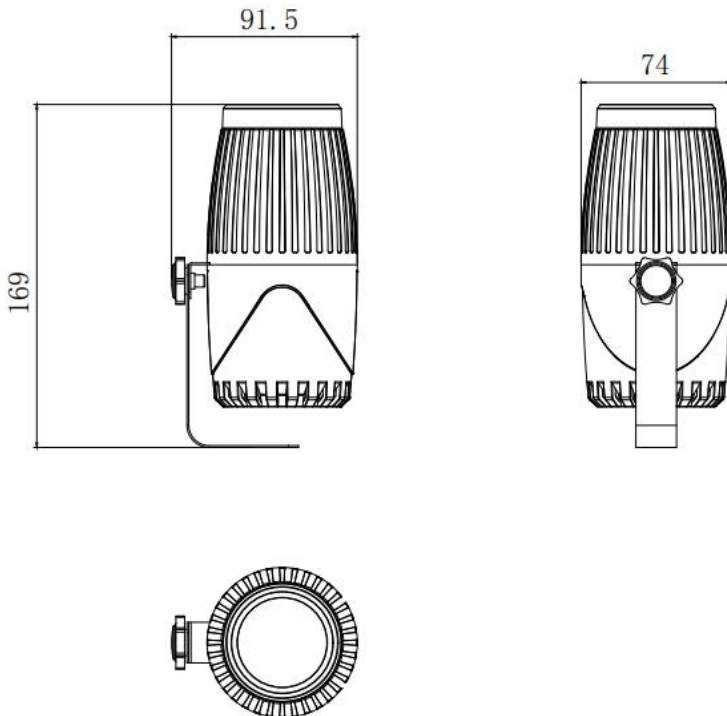
**Product dimensions**

91.5×74×169mm

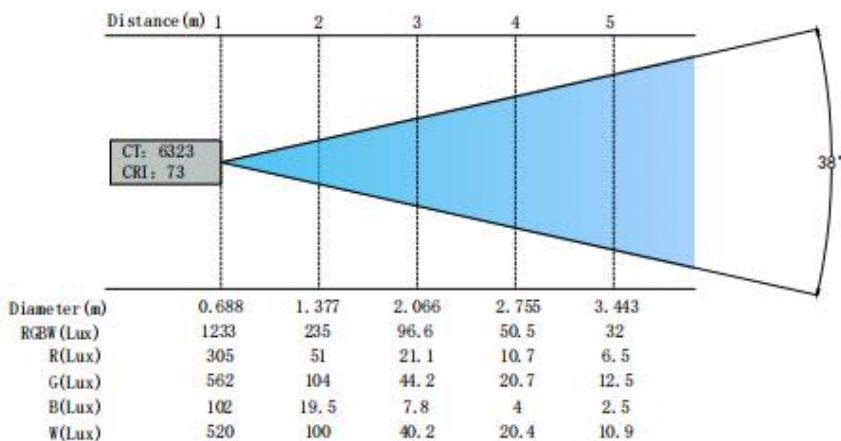
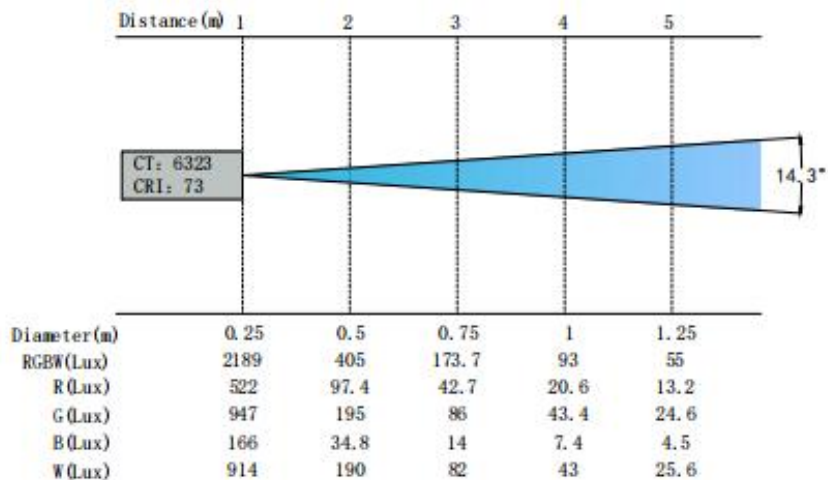
**Net weight**

0.4kg

**Dimensions:**

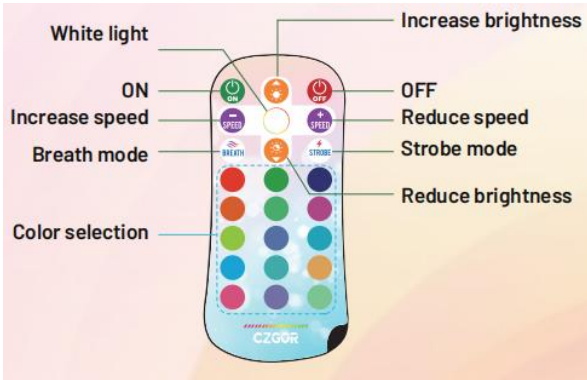


**Light output:**



# 3. Operation

## 3.1 Board instruction



## 4. Installation

### 4.1 Mounting

The luminaire shall be fixed to the quick-lock light hook with screws, and the installation must be secure to prevent vibration and falling during operation. Ensure that the structure to which the luminaire is attached can support **10 times the weight of the luminaire**. A safety cable capable of supporting **12 times the weight of the luminaire** shall also be used during installation.

The installation of the equipment must be carried out by professional personnel, and the equipment shall be installed in areas that are **inaccessible to unauthorized personnel** or where there is no random pedestrian passage.

## 5. Maintenance & Cleaning

Regular maintenance is essential to ensure optimal performance and extend the service life of the fixture.

### 5.1 Cleaning

Disconnect the unit from power before any cleaning work.

Use a soft, lint-free cloth slightly dampened with mild detergent to clean the exterior surfaces.

Gently remove dust from ventilation slots, optical lenses, and cooling components using compressed air or a soft brush.

Avoid using solvents, alcohol, or abrasive materials that may damage the housing or optical elements.

### 5.2 Lubrication

This fixture is designed with sealed or maintenance-free moving parts. Under normal operating conditions, no additional lubrication is required.

If abnormal noise or movement resistance is observed, contact qualified service personnel before applying any lubricant.

### **5.3 Troubleshooting**

If the fixture does not power on, verify the power supply, cables, and connectors.

For control issues, check DMX addressing, cable integrity, and ensure proper 3-pin/5-pin XLR connections.

Overheating or unexpected shutdown may indicate blocked ventilation; inspect and clean air inlets and outlets.

If problems persist after basic checks, discontinue use and contact authorized service technicians.



**LEAHUA**

Guangzhou Leahua Lighting Technology Ltd

---

---

Rm 1004, Building A  
Baiyun Lake Future Technology Center  
No.1 Xinghu Street, Shimen, Baiyun district  
Guangzhou 510440, China

---

---