



Pinspot 6Z

LH -PS610

This manual contains important information.
Please read before operating fixture.

Guangzhou Leahua Lighting Technology Ltd
[http:// www.leahualighting.com](http://www.leahualighting.com)

Index

1. Safety Instructions	2
2. Technical Specifications	3
3. Operation	6
3.1 Front panel operation	6
4. DMX Protocol	7
5. Installation	8
5.1 Mounting & Rigging	8
5.2 Power connection	9
5.3 DMX Control Connection	9
6. Maintenance & Cleaning	10
6.1 Cleaning	10
6.2 Lubrication	10
6.3 Troubleshooting	10

Accessories

Name	Quantity	Remark
User manual	1pc	
Power cable	1pc	
DMX signal cable	1pc	

1. Safety Instructions

WARNING!!! To reduce the risk of fire, electric shock, or injury to persons, follow these important safety instructions:

- Check before use

Before operation, inspect the fixture for transportation damage. Do not use it if damaged. Unauthorized modification or improper use is not covered by warranty.

- Environment

The fixture is IP20-rated, suitable for indoor/outdoor use, and can operate in humid or dusty areas. Keep it away from excessive heat, fire, vibration, electrical surges, and strong light.

- Personnel & operation

Installation and operation must be performed by qualified personnel. Ensure all covers are securely in place, wear protective gear, and do not open the housing or attempt self-maintenance.

- Optical safety

Do not look directly into the light source. Do not use with dimmer packs. Maintain a minimum distance of 20 m from illuminated surfaces, and replace damaged optical components immediately.

- Electrical safety

Ensure correct voltage, proper grounding, and compliant power cords. Do not use damaged cables, and unplug by holding the plug. Avoid operating under heavy rain or extreme humidity, and avoid frequent on/off switching.

- Installation

Use the safety cord through the provided safety holes. Keep at least 50 cm ventilation clearance and do not mount on flammable surfaces or aim the beam at combustible objects (minimum 20 m).

- Temperature & normal conditions

Housing temperature may reach 45 – 75° C during operation. Slight smoke or odor may occur at first ignition and is considered normal.

2. Technical Specifications

Power

Input Voltage: 100-240V~ 50/ 60Hz

Power Consumption:60W

Light source

Light Source: 6×15W Warm White LED

Color Temperature Output of Fixture: 2700K

Life expectancy:About 20000hours (factory rated)

Zoom Range

Zoom Range: 6°-37°

Control

Display: Digital Display

Control Channel:8CH

Control Mode: DMX512, master-slave, auto, sound, wireless, remote

Dimming/Strobe

Dimming: 0-100% linear dimming system

Strobe: 0-20 F.P.S, speed adjustable

Housing

Housing:Aluminum alloy

Protection rate: IP20

Working temperature

Working temperature: -10℃- 45℃

Battery

Battery Type: Lithium ion

Battery Power: 97.68Wh; 11.1V, 8800mAh

Battery Charge Time: About 4 hours (full power)

Battery Life: About 2.5 hours (all on)

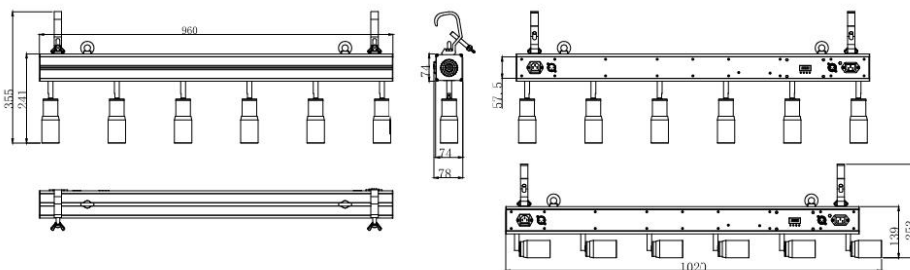
Product dimensions

960×78×241mm

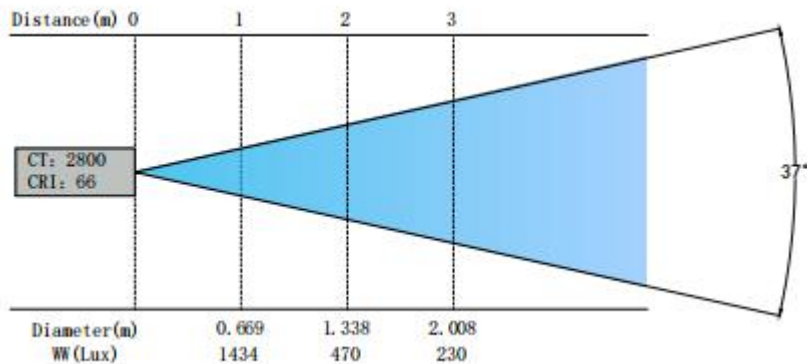
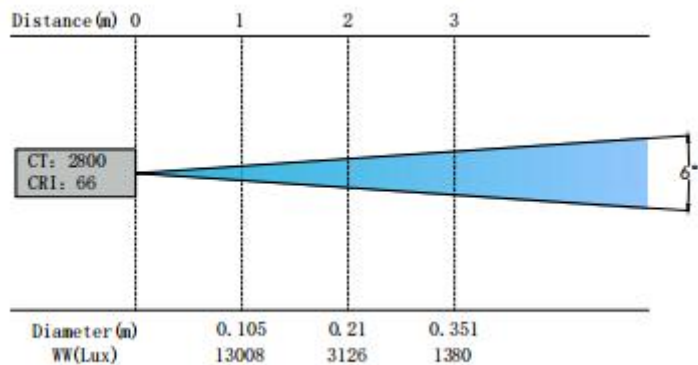
Net weight

5kg

Dimensions:

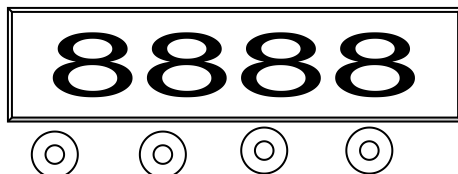


Light output:



3. Operation

3.1 Front panel operation:



MENU UP DOWN ENTER

Press MENU Can circulate 8 different functions. The front 2Digits mean the function it has. (Please see the function form as follow.) And the last 2Digits mean the function's address, speed or parameter. Press UP or DOWN can change the value. And press ENTER to confirm.

Press MENU more than 2sec. The 2Digit number will flash. Then press UP or DOWN can change the value quickly. Then press the ENTER to save the value you want. If you don't want to save the value, press MENU more than 2sec. is okay.

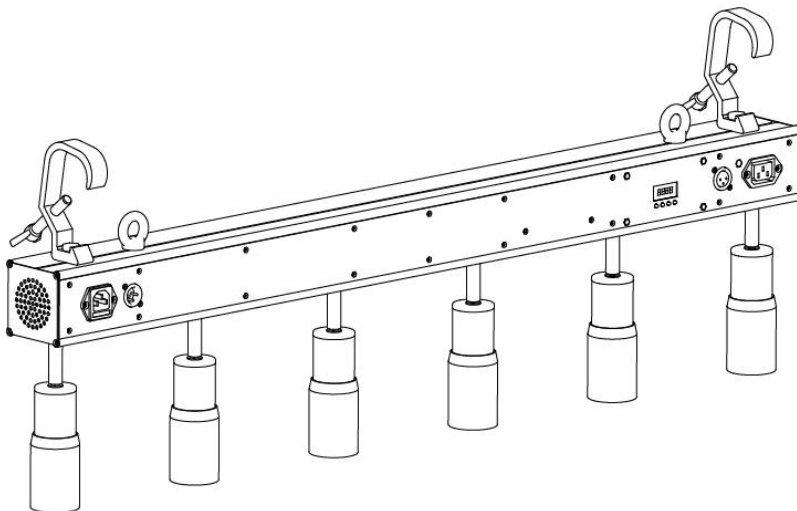
NO.	Display	Description
1	A001-A512	DMX address, Up / Down to change the value
2	d001-d099	Total Dimmer
3	d 101- d 199	W1 linear dimmer, from dark to bright
4	d 201- d 299	W1 linear dimmer, from dark to bright
5	d 301- d 399	W1 linear dimmer, from dark to bright
6	d 401- d 499	W1 linear dimmer, from dark to bright
7	d 501- d 599	W1 linear dimmer, from dark to bright
8	d 601- d 699	W1 linear dimmer, from dark to bright
9	St 0-99	Strobe, from slow to fast
10	So 0-99	Sound,
11	Au 0-	Auto,
12	Fa 0-99	Fade, Built-in effects

4. DMX Protocol

7 Channel		
Channel	Value	Function
CH1	0-255	Total Dimmer, 0-100%
CH2	0-255	W1 linear dimmer, 0-100%
CH3	0-255	W2 linear dimmer, 0-100%
CH4	0-255	W3 linear dimmer, 0-100%
CH5	0-255	W4 linear dimmer, 0-100%
CH6	0-255	W5 linear dimmer, 0-100%
CH7	0-255	W6 linear dimmer, 0-100%

5. Installation

5.1 Mounting & Rigging



- **Attach Mounting Hardware**

Install the 2 × ¼-turn quick-lock Omega brackets to the base, then secure suitable rated C- or O-clamps to the brackets.

- **Position and Rig the Fixture**

Mount the fixture onto a stable truss or structure using clamps rated to hold at least 10× the fixture's weight.

Always lift the fixture using the handles—not the clamps.

- **Install the Safety Cable**

Run the safety cable through the two safety-cable holes on the base and secure it to an independent safety point.

Ensure the safety cable is rated for 10× the fixture's weight.

- **Ensure Ventilation**

Verify that fans and ventilation openings are unobstructed and that sufficient space is available around the fixture.

- **Lock / Unlock Pan & Tilt**

Lock Pan and Tilt before moving the fixture.

Unlock them before powering on.

Never operate the fixture while Pan/Tilt is locked.

- Final Stability Check

Ensure all clamps, screws, and safety cable connections are firmly secured, and confirm the mounting structure can support the fixture's weight.

5.2 Power connection

Please checking the power equipment supported.

Please put the plug of power source wire connect with the main power source .

(EU)Wire	Wire(America)	Direction of wire	General marks
Brown	Black	Live	L
Light blue	White	Neutral	N
Yellow/Green	Green	Earth	

5.3 DMX Control Connection

This fixture supports DMX512 (1990) control protocol and is equipped with 3-pin XLR connectors for data input and output. Use a twin-screened DMX cable with conductors of at least 0.5 mm² , ensuring correct wiring for the selected connector type.

Connect the controller's DMX OUT to the first fixture's DMX IN, then link fixtures DMX OUT → DMX IN in a daisy-chain. For optimal signal integrity, install a **DMX terminator** on the DMX OUT of the final fixture.

Ensure no pin makes contact with the connector housing or other pins.

Before use, test cables with an ohm meter to verify correct polarity and to ensure no pins or shield are shorted to ground, as this may result in data errors or unstable operation.

For convenience, connect fixtures in the physical order they are installed, rather than by DMX address sequence.

6. Maintenance & Cleaning

Regular maintenance is essential to ensure optimal performance and extend the service life of the fixture.

6.1 Cleaning

Disconnect the unit from power before any cleaning work.

Use a soft, lint-free cloth slightly dampened with mild detergent to clean the exterior surfaces.

Gently remove dust from ventilation slots, optical lenses, and cooling components using compressed air or a soft brush.

Avoid using solvents, alcohol, or abrasive materials that may damage the housing or optical elements.

6.2 Lubrication

This fixture is designed with sealed or maintenance-free moving parts.

Under normal operating conditions, no additional lubrication is required.

If abnormal noise or movement resistance is observed, contact qualified service personnel before applying any lubricant.

6.3 Troubleshooting

If the fixture does not power on, verify the power supply, cables, and connectors.

For control issues, check DMX addressing, cable integrity, and ensure proper 3-pin/5-pin XLR connections.

Overheating or unexpected shutdown may indicate blocked ventilation; inspect and clean air inlets and outlets.

If problems persist after basic checks, discontinue use and contact authorized service technicians.



LEAHUA

Guangzhou Leahua Lighting Technology Ltd

Rm 1004, Building A
Baiyun Lake Future Technology Center
No.1 Xinghu Street, Shimen, Baiyun district
Guangzhou 510440, China
